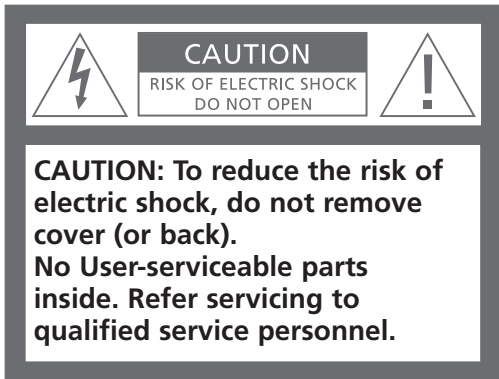


Guide

CENTER v/Henriksens ELEKTRO



**WARNING:** To prevent fire or electric shock, do not expose this appliance to rain or moisture.



This symbol indicates that a dangerous voltage constituting a risk of electric shock is present within this unit.



This symbol indicates that there are important operating and maintenance instructions in the literature accompanying this unit.

#### Caution

To prevent electric shock, do not use the polarised plug, attached to this apparatus, with an extension cord, receptacle, or other outlet, unless the blades can be fully inserted to prevent blade exposure.

Complete all the connections in your setup before connecting any appliance to the AC outlet. Note: Your BeoVision 4 operates on a 120 volts, 60 Hz (normal household current) and has a polarised plug. Because one blade of the plug is wider than the other, the plug fits in the wall outlet only one way. Do not defeat the safety feature of this plug. If you need an extension, use a polarised cord.

#### Note to Cable-TV installer

This reminder is provided to call your attention to Article 820-22 of the National Electrical Code (Section 54 of Canadian Electrical Code, Part 1) which provides guidelines for proper grounding and, in particular, specifies that the cable ground shall be connected to the grounding system of the building as close to the point of cable entry as practical.

This Guide contains all the relevant information about the connection, setting-up and use of your BeoVision 4 plasma screen with a Bang & Olufsen BeoSystem 1. A chapter overview is shown to the right.

If you wish to mount BeoVision 4 on a table stand or in a wall bracket, please refer to the manual enclosed with the table stand or bracket for instruction.

## **Set up BeoVision 4**

- 4 Handling BeoVision 4
- 4 Placing BeoVision 4 in your home
- 5 Overview of the close-up operation and socket panels
- 5 Running the cables

## **Connect BeoVision 4 to BeoSystem 1**

- 6 Connect cables and the IR receiver

## **The socket panel on the rear**

- 7 The rear connection panel

## **The close-up operation panel**

- 8 Switch BeoVision 4 on or off

## **Taking care of BeoVision 4**

- 9 Cleaning BeoVision 4
- 9 Day-to-day maintenance

## **For your information...**

- 10 Contact Bang & Olufsen

## Set up your BeoVision 4

We recommend that you follow the procedure described below when you set up BeoVision 4:

- Unpack BeoVision 4 and place it as described and illustrated to the right under *Handling BeoVision 4*;
- Consider the appropriate placement for BeoVision 4. Guidelines are included to the right under *Placing BeoVision 4 in your home*;
- Connect the cables as described in *Connect BeoVision 4 to BeoSystem 1*. For information about how to fasten and run the cables on the rear of BeoVision 4, refer to the opposite page.

For an overview of the close-up operation and socket panels, refer to pages 7–8.

### Handling BeoVision 4

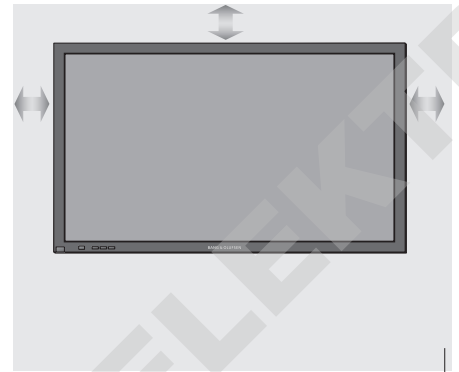
Due to the weight of BeoVision 4, any moving or lifting of the screen should be done by two persons.

When lifting BeoVision 4, grip the top and bottom edges of the screen.

Carry BeoVision 4 in such a way that the screen is in an upright position at all times.

If you must put BeoVision 4 down at any time prior to placing your screen, we recommend that you rest it in an upright position on its bottom edge on a stable, flat surface. *Make sure that at least one person steadies BeoVision 4 while it rests in this fashion!*

You may also place BeoVision 4 with the screen side down on a stable, flat surface that you have covered with cloth or other soft material. To avoid exposing the screen itself to pressure, rest BeoVision 4 only on surfaces large enough to allow the weight of BeoVision 4 to rest on the screen frame, as opposed to the screen glass.



*Regardless of whether you place BeoVision 4 on a table stand or in a wall bracket, make sure to leave adequate space around the screen for ventilation purposes, as described to the right.*

### Placing BeoVision 4 in your home

To be able to mount BeoVision 4 in a wall bracket or on a table stand, refer to the instructions enclosed with the bracket or stand. Under all circumstances, make sure that BeoVision 4 can not be tipped over or jostled loose from the selected bracket or stand.

- Set up, place and connect BeoVision 4 in accordance with this Guide.
- BeoVision 4 is developed for indoor use in dry, domestic environments only. It is designed for use within a temperature range of 32–105° F (0–40° C) and a relative humidity range of 20–80%.

- Do not place BeoVision 4 on sloped or unstable surfaces, as the screen may tip over or fall off, causing damage to the screen.
- Do not place BeoVision 4 close to strong sources of heat, light or electromagnetic fields. This may result in picture and sound distortion.
- Do not place any items on top of BeoVision 4.
- Do not place or use BeoVision 4 near water, e.g. near a bathtub, sink, or swimming pool.
- Do not cover the ventilation holes, e.g. by placing BeoVision 4 on a rug. This may cause the screen to overheat. *Please note that the top ventilation holes emit heated air while BeoVision 4 is in use!*
- When mounting BeoVision 4 in a wall bracket, leave a space of at least four inches (about 10 cm) at the top, bottom and sides.
- When mounting BeoVision 4 on a table stand, leave a space of at least four inches (about 10 cm) at the top, left and right, two and a half inches (about 6 cm) at the bottom, and three inches (about 7.5 cm) at the rear.
- Unplug BeoVision 4 at the mains during lightning storms or if the screen is not used for long periods of time. This will prevent damage to BeoVision 4 due to lightning and power-line surges.
- Disconnect all cables before moving BeoVision 4.

## Overview of close-up operation and connection panels

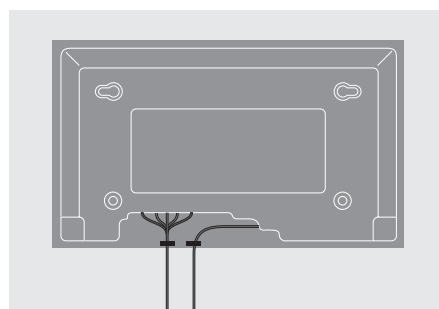
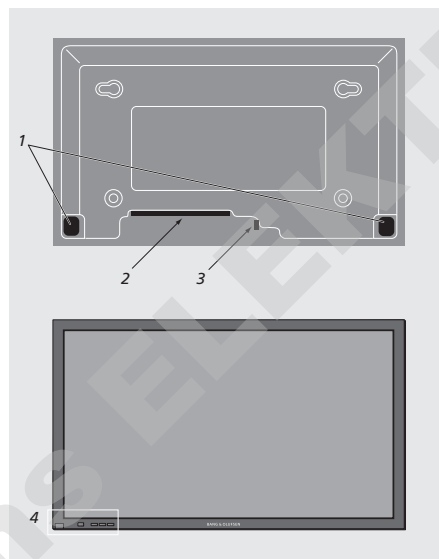
- 1 Speaker connection panels\*
- 2 AVV connection panel
- 3 Mains connection
- 4 Close-up operation panel

*\*Note: If you wish to connect external loudspeakers, connect them to the loudspeaker sockets on BeoSystem 1. For further information, please refer to the Guide enclosed with BeoSystem 1.*

## Running the cables

Secure the cables you have connected to BeoVision 4 with the cable bands, as shown in the diagram.

*The supplied mains lead and plug are specially designed for BeoVision 4. If you change the plug or in any way damage the mains lead, it will affect the picture adversely.*

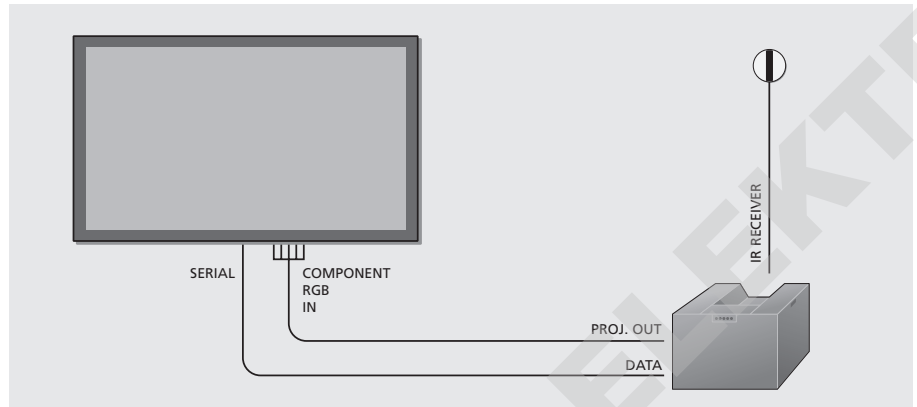


*It is necessary to secure the mains lead in the cable bands, as shown in the diagram. Otherwise, the mains cable can be tugged free of the socket.*

## Connect BeoVision 4 to BeoSystem 1

This chapter describes how to connect BeoVision 4 to a Bang & Olufsen BeoSystem 1.

Please refer to the facing page for more information about the socket panels on BeoVision 4.

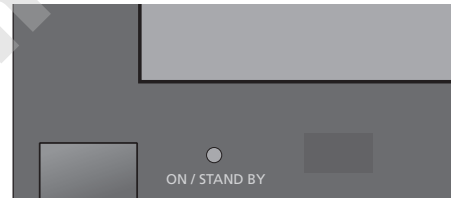


### Connect cables and the IR receiver

Make sure that both BeoVision 4 and BeoSystem 1 are placed properly before connecting the systems.

If longer cables are necessary, they are available from your Bang & Olufsen retailer. The plugs at the ends of these cables are all different, so it is not possible to connect the cables incorrectly if you follow the procedure described below:

- > Connect the appropriate plug end of the first cable to the PROJ. OUT socket on BeoSystem 1, and the plug group at the other end to the COMPONENT/RGB-IN sockets on BeoVision 4. The plugs at the screen end are colour-coded as follows:
  - Red... connect to the Pr/Cr/R socket.
  - Blue... connect to the Pb/Cb/B socket.
  - Green... connect to the Y/G socket.
  - Black (or yellow)... connect to the VD socket.
  - Grey (or white)... connect to the HD socket.
- > Connect one end of the second cable to the DATA socket on BeoSystem 1, and the other end to the SERIAL socket on BeoVision 4.
- > Connect the IR receiver to BeoSystem 1 as described in the BeoSystem 1 Guide in the chapter *Connect the IR receiver*.



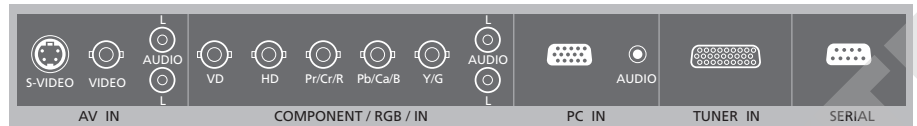
### When connections are complete...

- > Connect BeoVision 4 to the mains using the enclosed mains cable.
- > Connect BeoSystem 1 to the mains as described in the BeoSystem 1 Guide.
- > Press the mains switch on the BeoVision 4 close-up operation panel. The indicator light next to the switch turns green. BeoVision 4 is ready for use with BeoSystem 1. You can now tune TV channels in, as described in the BeoSystem 1 Guide.

The socket panel on the back of BeoVision 4 contains connection areas reserved for additional equipment.

However, we recommend that you connect all extra equipment, such as a DVD player or extra loudspeakers, to your BeoSystem 1. This makes it possible to operate all your equipment with the Beo4 remote control.

If you wish to connect equipment to BeoVision 4 and would like further information about connection of compatible equipment, please contact your Bang & Olufsen retailer.



## The rear connection panel

On the rear connection panel, each signal type or source type has a dedicated area which includes all the sockets necessary for connection of that source type.

### Dedicated areas on the panel...

#### AV IN

For connection of e.g. a DVD player or a video cassette player.

#### COMPONENT/RGB IN

For connection of a Bang & Olufsen BeoSystem 1.

#### PC IN

For connection of a PC.

#### TUNER IN

For future use.

#### SERIAL

For connection of a Bang & Olufsen BeoSystem 1.

## The close-up operation panel

The close-up operation panel on BeoVision 4 allows you to switch BeoVision 4 on or off.



### Buttons on the close-up operation panel

#### ON / STAND BY

Switches the screen on or off.

The additional buttons on the close-up operation panel are not functional in systems where BeoVision 4 is connected to BeoSystem 1.



Normal maintenance, such as cleaning the BeoVision 4, is the responsibility of the user. To achieve the best results, follow the instructions on this page.

Please consult your Bang & Olufsen retailer to determine recommendations for normal maintenance.

## Cleaning BeoVision 4

Wipe dust off the surfaces using a dry, soft cloth. Remove grease stains or persistent dirt with a lint-free, firmly wrung cloth, dipped in a solution of water containing only a few drops of mild detergent, such as washing-up liquid.

### About the screen...

Wipe the screen surface gently using only a cleaning cloth or a soft, lint-free cloth. If the surface is particularly dirty, wipe it clean with a soft, lint-free cloth which has been dipped in pure water. If necessary, a *weak* solution of water and neutral detergent can also be used. Wipe the surface once more with a dry cloth of the same type until the surface is completely dry.



*Never use alcohol or other solvents to clean any part of BeoVision 4!*

## Guidelines for day-to-day use

Do not allow still pictures to be displayed on the screen for an extended period of time, as this can cause a permanent after-image to remain on the screen. Examples of still pictures are logos, video games, computer images and images displayed in 4:3 picture format.

Do not leave BeoVision 4 in contact with articles containing rubber or PVC for long periods of time.

Do not attempt to open BeoVision 4. Leave such operations to qualified service personnel.

### For your information...

Your needs as a user are given careful consideration during the design and development process of a Bang & Olufsen product and we strive to make our products easy and comfortable to operate.

Therefore, we hope that you will take the time to tell us about your experiences with your Bang & Olufsen product. Anything which you consider important – positive or negative – may help us in our efforts to refine our products.

Thank you!

*Write to:* Bang & Olufsen a/s  
Customer Service  
Dept. 7210  
Peter Bangsvej 15  
DK-7600 Struer

*or fax:* Bang & Olufsen  
Customer Service  
+45 97 85 39 11 (fax)

*or Email:* [beoinfo1@bang-olufsen.dk](mailto:beoinfo1@bang-olufsen.dk)

*Visit our Web-site on...*  
[www.bang-olufsen.com](http://www.bang-olufsen.com)

NOTE: This equipment has been tested and found to comply with the limits for a class B digital device, pursuant to part 15 of the FCC Rules. These limits are designed to provide reasonable protection against harmful interference in a residential installation.

This equipment generates, uses and can radiate radio frequency energy and, if not installed and used in accordance with the instructions, may cause harmful interference to radio communications. However, there is no guarantee that interference will not occur in a particular installation. If this equipment does cause harmful interference to radio or television reception, which can be determined by turning the equipment off and on, the user is encouraged to try to correct the interference by one or more of the following measures:

- Reorient or relocate the receiving antenna
- Increase the separation between the equipment and receiver
- Connect the equipment into an outlet on a circuit different from that to which the receiver is connected
- Consult the retailer or an experienced radio/TV technician for help

---

This class B digital apparatus meets all requirements of the Canadian Interference-Causing Equipment Regulations.

CENTER v/Henriksens ELEKTRO